

JOB: MEDICAL OFFICE BUILDING RIVIERA BEACH TYPE: SA
 OSQ-A-NM-4ME-K-40K-UL-XX / OSQ-AA-XX / OSQ-BLSMF

OSQ Series
 OSQ™ LED Area/Flood Luminaire – Medium

Product Description

The OSQ™ Area/Flood luminaire blends extreme optical control, advanced thermal management and modern, clean aesthetics. Built to last, the housing is rugged cast aluminum with an integral, weatherlight LED driver compartment. Versatile mounting configurations offer simple installation. Its slim, low-profile design minimizes wind load requirements and blends seamlessly into the site providing even, quality illumination. The 'B' Input power designator is a suitable upgrade for HID applications up to 250 Watt, and the 'K' Input power designator is a suitable upgrade for HID applications up to 400 Watt.

Applications: Parking lots, walkways, campuses, car dealerships, office complexes, and internal roadways

Performance Summary

- NanoOptic™ Precision Delivery Grid™ optic
- Assembled in the U.S.A. of U.S. and imported parts
- Initial Delivered Lumens:** Up to 17,291
- Efficacy:** Up to 136 LPW
- CRI:** Minimum 70 CRI
- CCT:** 3000K (+/- 300K), 4000K (+/- 300K), 5700K (+/- 500K)
- Limited Warranty:** 10 years on Luminaire/10 years on Colorfast DeltaGuard™ finish

See <http://lighting.cree.com/warranty> for warranty terms.

Accessories

- Field-Installed**
- Backlight Shield** (OSQ-LS-04E) – Front facing optics (OSQ-B-SM4) – Rotated optics
 - Hand-Held Remote** (X6-SENDRM) – For successful implementation of the programmable multi-level option, a minimum of one hand-held remote is required.

Ordering Information

Fully assembled luminaires are composed of two components that must be ordered separately. Example: Mount: OSQ-AASV - Luminaire: OSQ-A-NM-4ME-B-40K-UL-SV

Mount (Luminaire must be ordered separately)*	
OSQ-	
OSQ-AA Adjustable Arm	Color Options: SV Silver, BK Black, WH White
OSQ-DA Direct Arm	

*Reference EPA and pole configuration suitability data beginning on page 7

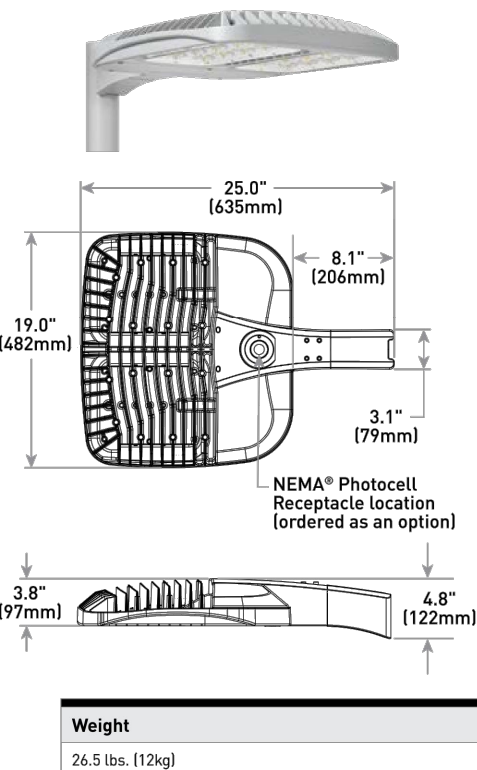
Luminaire (Mount must be ordered separately)

OSQ	A	NM	Mounting	Optic	Input Power Designator	CCT	Voltage	Color Options	Options
OSQ	A	NM	AA	Asymmetric	B	300K	UL	BK	DIM 0-10V Dimming
				2ME	K	400K	UL	BK	Control by others
				3ME	Z	57K	UL	BK	Refer to dimming spec sheet for details
						5700K	UL	BK	Others full range adjustability
				Symmetric			UL	SV	Can't exceed wattage of specified input power designator
				Type V			UL	WH	Refer to pages 9-10 for power and lumen values
				Medium			UL	WH	When code dictates fusing, use time delay fuse
							UL	WH	Available for U.S. applications only
							UL	WH	Available with B & K Input Power Designators only
							UL	WH	Refer to CSI, spec sheet for details
							UL	WH	Intended for downlight applications
							UL	WH	Refer to CSI, spec sheet for details
							UL	WH	Intended for downlight applications
							UL	WH	Refer to CSI, spec sheet for details
							UL	WH	Intended for downlight applications

*Available with Backlight Shield when ordered with field-installed accessory (see table above)

UL US, DGC, CE, ENEC, IES, DGC
 US: lighting.cree.com T (800) 234-6800 F (262) 504-5415
 Canada: www.cree.com/canada T (800) 473-1234 F (800) 890-7507

DA Mount



OSQ™ LED Area/Flood Luminaire – Medium

Product Specifications

- CONSTRUCTION & MATERIALS**
 - Slim, low profile design minimizes wind load requirements
 - Luminaire housing is rugged die cast aluminum with an integral, weatherlight LED driver compartment and high performance heat sink
 - Convenient interlocking mounting method on direct arm mount. Mounting adapter is rugged die cast aluminum and mounts to 3/4\" (76-152mm) square or round pole, secured by two 5/16-18 UNC bolts spaced on 2\" (51mm) centers
 - Mounting for the adjustable arm mount adapter is rugged die cast aluminum and mounts to 2\" (51mm) IP, 2.375\" (60mm) O.D. tenon
 - Adjustable arm mount can be adjusted 180° in 2.5\" increments
 - Designed for uplight and downlight applications
- Exclusive Colorfast DeltaGuard™ finish** features an E-Coat epoxy primer with an ultra-durable powder topcoat, providing excellent resistance to corrosion, ultraviolet degradation and abrasion. Silver, bronze, black, and white are available.
- Weight:** 26.5 lbs. (12kg)

ELECTRICAL SYSTEM

- Input Voltage:** 120-277V or 347-480V, 50/60Hz, Class 1 drivers
- Power Factor:** > 0.9 at full load
- Total Harmonic Distortion:** < 20% at full load
- Integral 10kV surge suppression protection standard
- When code dictates fusing, a slow blow fuse or type C/D breaker should be used to address inrush current
- 10V Source Current:** 0.15mA

REGULATORY & VOLUNTARY QUALIFICATIONS

- cULus Listed
- Suitable for wet locations
- Enclosure rated IP66 per IEC 60529 when ordered without R option
- Consult factory for CE Certified products
- Certified to ANSI C136.31-2001, 3G bridge and overpass vibration standards
- 10kV surge suppression protection tested in accordance with IEEE/ANSI C62.4.2
- Meets FCC Part 15, Subpart B, Class A standards for conducted and radiated emissions
- Luminaire and finish endurance tested to withstand 5,000 hours of elevated ambient salt fog conditions as defined in ASTM Standard B 117
- Meets Buy American requirements within ARRA
- DLC and DLC Premium qualified versions available. Some exceptions apply. Please refer to <https://www.designlights.org/search/> for most current information
- Dark Sky Friendly, IDA Approved when ordered with 30K CCT. Please refer to <http://darksky.org/isa/isa-products/> for most current information
- CA RESIDENTS WARNING:** Cancer and Reproductive Harm - www.p66warnings.ca.gov

Electrical Data*

Input Power Designator	System Watts	Total Current (A)					
		120V	208V	240V	277V	347V	480V
B	86	0.73	0.43	0.37	0.32	0.25	0.19
K	130	1.09	0.65	0.56	0.49	0.38	0.28
Z	53**	0.44	0.26	0.22	0.19	N/A	N/A

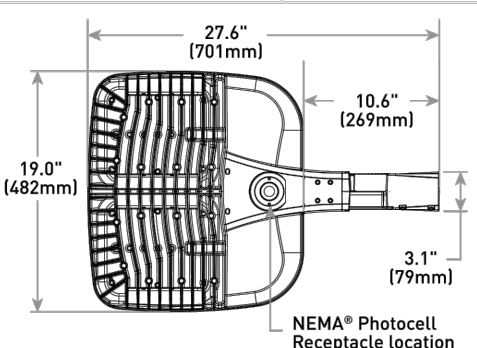
*Nominal data at 90° F (32° C). Actual wattage may differ by +/- 10% when operating between 100-480° F (-10-100° C). **Available with UL voltage only

OSQ Series Ambient Adjusted Lumen Maintenance*

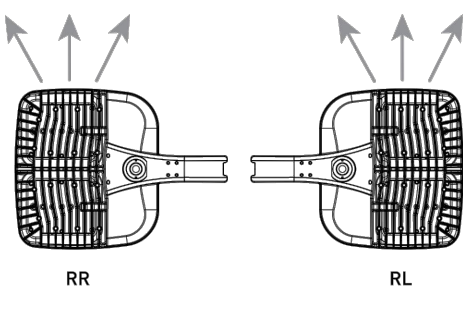
Ambient	Optic	Initial LMF	25K hr Projected LMF	50K hr Projected LMF	75K hr Projected/Calculated LMF	100K hr Projected/Calculated LMF
5°C (41°F)	Asymmetric	1.04	1.02	1.01	1.00	0.99
	Symmetric	1.05	1.04	1.03	1.03	1.02
10°C (50°F)	Asymmetric	1.03	1.01	1.00	0.99	0.98
	Symmetric	1.04	1.03	1.02	1.01	1.00
15°C (59°F)	Asymmetric	1.02	1.00	0.99	0.98	0.97
	Symmetric	1.02	1.02	1.01	1.00	0.99
20°C (68°F)	Asymmetric	1.01	0.99	0.98	0.97	0.96
	Symmetric	1.01	1.01	1.00	0.99	0.98
25°C (77°F)	Symmetric	1.00	0.99	0.98	0.97	0.97

*Lumen maintenance values at 25°C (77°F) are calculated per TM-21 based on LM-80 data and in-chamber testing. Luminaire ambient temperature factors (LAF) have been applied to all lumen maintenance factors. Please refer to the Temperature Zone Electronic Document for ambient average temperature and conditions. **In accordance with IESNA TM-21-11, Projected Values represent interpolated values based on time durations that are within six times (6x) the IESNA TM-21-11 test duration (in hours) for the device under testing (DUT) in the packaged LED chip. **In accordance with IESNA TM-21-11, Calculated Values represent time durations that exceed six times (6x) the IESNA TM-80-08 test duration (in hours) for the device under testing (DUT) in the packaged LED chip.

AA Mount



RR/RL Configuration



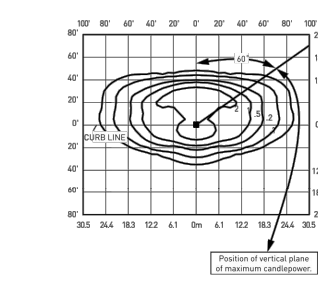
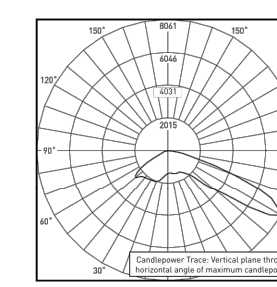
US: lighting.cree.com T (800) 234-6800 F (262) 504-5415
 Canada: www.cree.com/canada T (800) 473-1234 F (800) 890-7507

OSQ™ LED Area/Flood Luminaire – Medium

Photometry

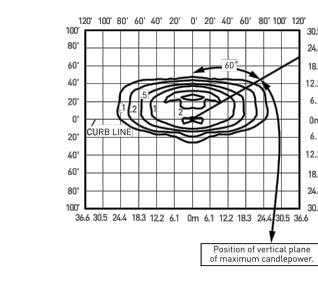
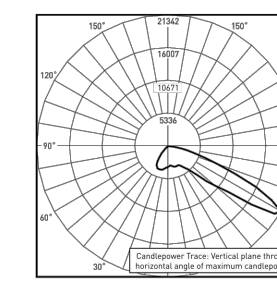
All published luminaire photometric testing performed to IESNA LM-79-08 standards by a NVLAP accredited laboratory. To obtain an IES file specific to your project consult: <http://lighting.cree.com/products/outdoor/area/osq-series>

2ME



CESTL Test Report # PL07767-001
 OSQ-A-**-3ME-B-40K-UL
 Initial Delivered Lumens: 10,381

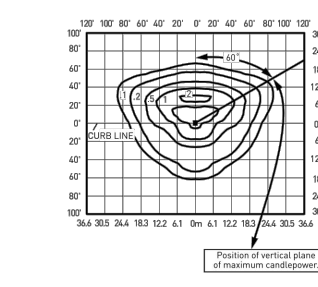
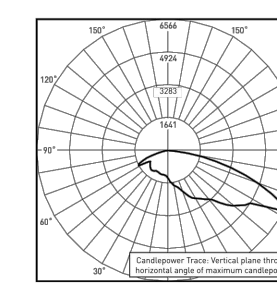
OSQ-A-**-3ME-B-40K-UL
 Mounting Height: 25' (7.6m) A.F.G.
 Initial Delivered Lumens: 11,424
 Initial FC at grade



CESTL Test Report # PL07767-001A
 OSQ-A-**-3ME-B-40K-UL w/OSQ-BLSMF
 Initial Delivered Lumens: 22,822

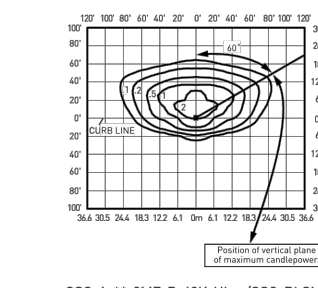
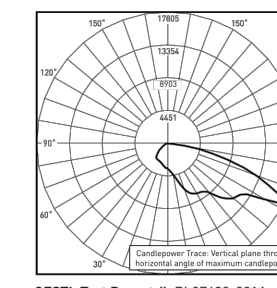
OSQ-A-**-3ME-B-40K-UL w/OSQ-BLSMF
 Mounting Height: 25' (7.6m) A.F.G.
 Initial Delivered Lumens: 8,779
 Initial FC at grade

3ME



CESTL Test Report # PL08071-001A
 OSQ-A-**-3ME-B-40K-UL
 Initial Delivered Lumens: 15,421

OSQ-A-**-3ME-B-40K-UL
 Mounting Height: 25' (7.6m) A.F.G.
 Initial Delivered Lumens: 15,424
 Initial FC at grade



CESTL Test Report # PL07979-001A
 OSQ-A-**-3ME-B-40K-UL w/OSQ-BLSMF
 Initial Delivered Lumens: 23,651

OSQ-A-**-3ME-B-40K-UL w/OSQ-BLSMF
 Mounting Height: 25' (7.6m) A.F.G.
 Initial Delivered Lumens: 9,219
 Initial FC at grade

US: lighting.cree.com T (800) 234-6800 F (262) 504-5415
 Canada: www.cree.com/canada T (800) 473-1234 F (800) 890-7507

Type II Medium Distribution

Input Power Designator	3000K		4000K		5700K	
	Initial Delivered Lumens*	BUG Ratings** Per TM-15-11	Initial Delivered Lumens*	BUG Ratings** Per TM-15-11	Initial Delivered Lumens*	BUG Ratings** Per TM-15-11
B	10,738	83 LU 02	11,424	82 LU 02	11,448	82 LU 02
K	16,022	83 LU 03	14,959	83 LU 03	17,291	83 LU 03
Z	6,481	82 LU 01	6,896	82 LU 01	7,031	82 LU 01

*Initial delivered lumens at 25°C (77°F). Actual production yield may vary between -10 and +10% of initial delivered lumens.

**For more information on the IES BUG (Beamlight-Uplight-Downlight) Rating visit: <https://www.ies.org/wp-content/uploads/2017/03/TM-15-11BUGRatingAddendum.pdf>. Valid with us 10.

Type II Medium w/BLS Distribution

Input Power Designator	3000K		4000K		5700K	
	Initial Delivered Lumens*	BUG Ratings** Per TM-15-11	Initial Delivered Lumens*	BUG Ratings** Per TM-15-11	Initial Delivered Lumens*	BUG Ratings** Per TM-15-11
B	8,291	82 LU 02	8,779	82 LU 02	8,950	82 LU 02
K	12,212	82 LU 02	13,032	82 LU 02	13,286	82 LU 02
Z	4,780	81 LU 01	5,299	81 LU 01	5,422	81 LU 01

*Initial delivered lumens at 25°C (77°F). Actual production yield may vary between -10 and +10% of initial delivered lumens.

**For more information on the IES BUG (Beamlight-Uplight-Downlight) Rating visit: <https://www.ies.org/wp-content/uploads/2017/03/TM-15-11BUGRatingAddendum.pdf>. Valid with us 10.

Type III Medium Distribution

Input Power Designator	3000K		4000K		5700K	
	Initial Delivered Lumens*	BUG Ratings** Per TM-15-11	Initial Delivered Lumens*	BUG Ratings** Per TM-15-11	Initial Delivered Lumens*	BUG Ratings** Per TM-15-11
B	10,738	83 LU 03	11,424	83 LU 03	11,448	83 LU 03
K	16,022	83 LU 03	14,959	83 LU 03	17,291	83 LU 03
Z	6,481	82 LU 02	6,896	82 LU 02	7,031	82 LU 02

*Initial delivered lumens at 25°C (77°F). Actual production yield may vary between -10 and +10% of initial delivered lumens.

**For more information on the IES BUG (Beamlight-Uplight-Downlight) Rating visit: <https://www.ies.org/wp-content/uploads/2017/03/TM-15-11BUGRatingAddendum.pdf>. Valid with us 10.

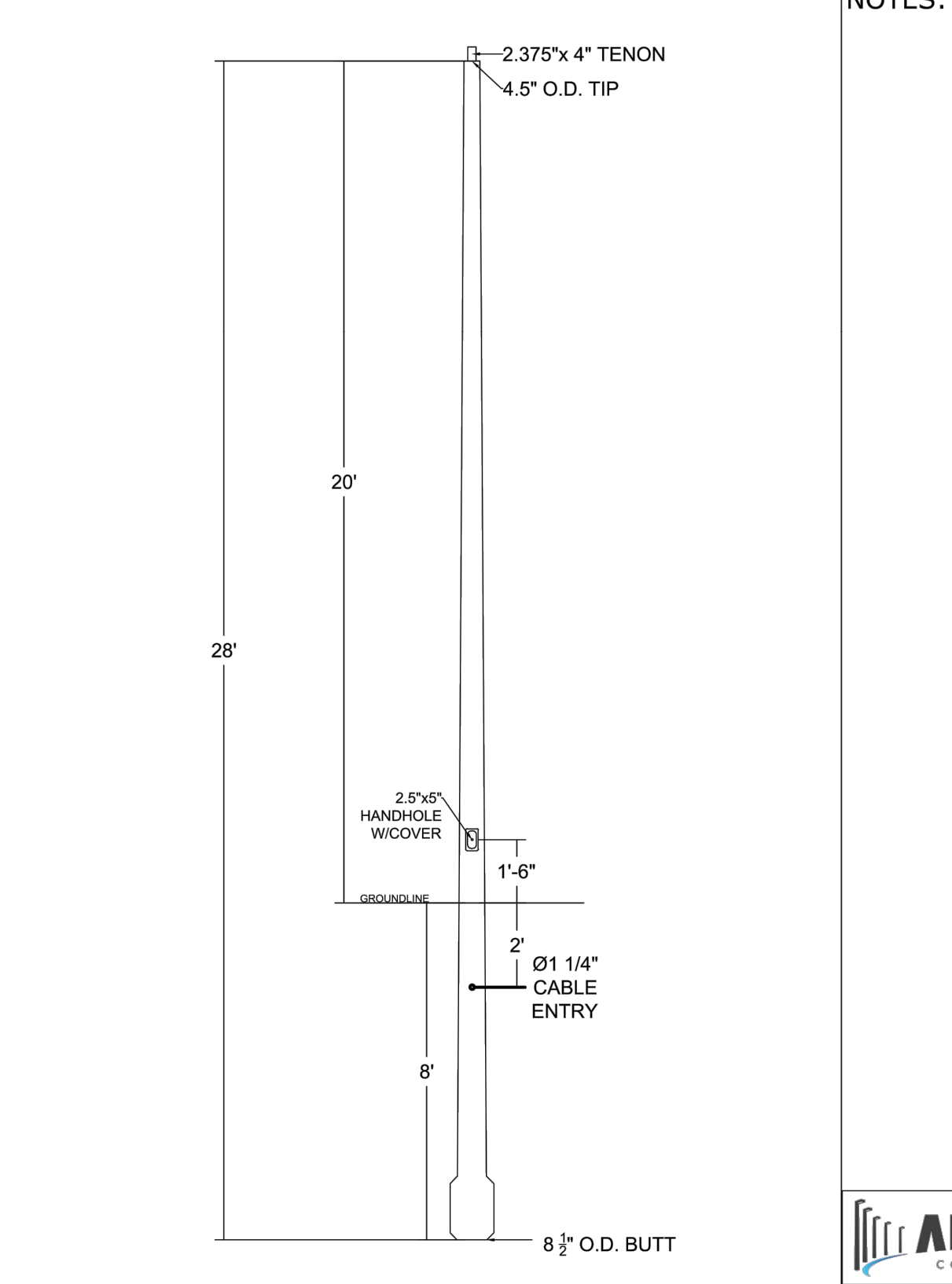
Type III Medium w/BLS Distribution

Input Power Designator	3000K		4000K		5700K	
	Initial Delivered Lumens*	BUG Ratings** Per TM-15-11	Initial Delivered Lumens*	BUG Ratings** Per TM-15-11	Initial Delivered Lumens*	BUG Ratings** Per TM-15-11
B	8,477	81 LU 02	9,219	81 LU 02	9,196	82 LU 02
K	12,449	82 LU 02	13,389	82 LU 02	13,650	82 LU 02
Z	5,117	81 LU 01	5,444	81 LU 01	5,551	81 LU 01

*Initial delivered lumens at 25°C (77°F). Actual production yield may vary between -10 and +10% of initial delivered lumens.

**For more information on the IES BUG (Beamlight-Uplight-Downlight) Rating visit: <https://www.ies.org/wp-content/uploads/2017/03/TM-15-11BUGRatingAddendum.pdf>. Valid with us 10.

NOTES:

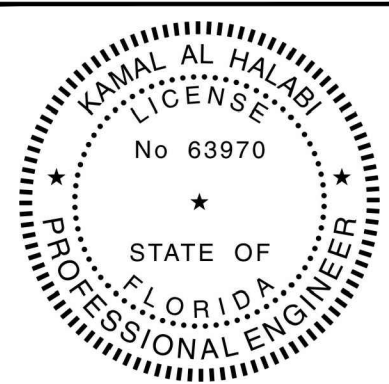


FILED WOUND SECTIONAL COMPOSITE SHAFT CONSISTING OF CONTINUOUS FIBERGLASS ROVING COMBINED WITH THERMOSETTING POLYESTER RESIN WOUND IN LOW ANGLE HELICAL AND HIGH ANGLE HOOPS PROVIDING FOR MAXIMUM RESISTANCE TO DEFLECTION AND SHEAR. POLE FINISH IS A 10-15 ML THICK POLYESTER FINISHING RESIN. DIRECT BURIAL POLE ASTM A953 CLASS 1 (POLE TOP DEFLECTION SHALL NOT EXCEED 15% OF THE ABOVE HEIGHT @ MAX WIND LOADING AND MAX FIXTURE WEIGHT) DESIGN CRITERIA PER 2017 FBC 6TH EDITION AND ANSI C136.20-2012.

CATALOG# DS28ASDN2	
EPA 1.3	COLOR BLACK
WINDZONE 180 MPH	FINISH NATURAL
BUILD STANDARD	

PHOTOMETRICS PLAN SPECIFICATIONS
 NOT TO SCALE

PREMIER
 CONSULTING ENGINEERS, LLC
 MECHANICAL | ELECTRICAL | PLUMBING
 ENGINEERING & CONSULTING
 COA # 29969
 2799 NW 2ND AVE, SUITE H-202, BOCA RATON, FL 33431
 PH: 561.672.7344 | FAX: 561.892.7700
 EMAIL: MEP@PREMIER-ENGINEERS.COM



REVISIONS	BY

MEDICAL BUILDING
 RIVIERA BEACH, FL

NADER GOUBRAN, ARCHITECT
 217 GAZETTA WAY, WEST PALM BEACH, FL 33413
 P: 561-644-3784 F: 561-296-7866 N.GOUBRAN@MSN.COM
 LICENSE NUMBER AR-0097801



DATE: 2/26/20
 SCALE: not to scale

SHEET
 PH-2